



Manufacturers of **LOAD RUNNER**
and **XSERIES** Solid Waste Transport Trailers

INDUSTRIES, INC.

R.R. 3, Box 169 Morris, MN 56267 (320) 589-1971
1-800-833-6045
FAX: (320) 589-1974

Sales Quotation

BuyBoard: Refuse and Recycling, Containers and Other Transport Bodies #686-22
(Expires 11/30/24)

Firm	City of Deer Park, TX	Date	8/27/24
Address	710 East San Augustine St.	PO #	
City, State, Zip	Deer Park, TX 77536	Email	lgonzalez@deerparktx.org
Contact	Mr. Gonzalez	Phone #	281-478-7263
Completion Date:	190 Days	Terms	Net COD

Qty.	Description	Price
1	<p>2025 WILKENS OPEN TOP WALKING FLOOR TRAILER MODEL 4511SSPO – BUYBOARD CONTRACT PRICING.....> DEER PARK SPECIFICATION INCLUDING ALL OPTIONS HIGHLIGHTED IN BOLD BELOW.....> O.A.D: L: 45' H: 13'4" (13-6 with cover) W: 102" Sides: Sheets 7ga. 50my. Posts 10Ga. (straight leg 2.5"x 5") on 15" Centers (on outside of bot. rail) All Exterior Welds Solid. Body Taper: 4" (92" inside front, 96" inside rear) Body Wedge: 7" (104" inside front 111" inside rear) Cut-Outs for Tire Clearance. Bulkhead: Same as Sides 3 Posts, No Inside Braces, 10" Diagonal Corners. Front Window 12x 18 X-Metal 46" to Center above KP Plate 10" Off Center Toward Driver's Side. Top Rail: 4"H x 6"W x 5/16" Single Piece no Splices, Flex Joints, Std. Spreader Bar. 3x 3x 1/4, Located Center of Trailer. Bulkhead Top Rail Same as Sides. Kingpin: 36", 5/16" Pick-up Plate, WHI Style, 1/2" H-Beams, Clean Out Holes in Plate. 40' KP-Last Axle. Cross-Members: 4" Steel X-Members, 12" Centers. Sub-Frame: 8" x 4" x 3/16" Steel Tube. Bottom Rail: 7 Ga. Steel J-Rail 3.375". Landing Gear: Holland Mark V Sand Shoe pad, 2-Speed, Driver's Side Crank, Std. 7ga. Supports Attached to 6 Cross members. L Gear – KP 108". Bumper: (7ga.) 2.75" Heil Hitch Pin 8"x 16" Opening (covered with a rubber flap) 24" Push Bumpers, ICC Bumper. Suspension: Tandem Hutch 9700 50,000# Capacity, HD 3-Leaf Low Arch Springs (365-01 TRA 2741). Mud Flaps Directly behind the Rear Axle. Spring seats: Frt. 3.25" Rr. 2.75" Axles: (2) 25,000#. 77.5" Track. T/M Chambers. 4S/2M ABS. Hubs: Dayton Walther Uni-Mount 10 Hub-Piloted. Brake Drums: O/B Drums. Wheels: (8) 8.25 x 22.5 Hub-Piloted Steel, White. Tires: (8) Yokohama Y 1092 14 Ply, 11R x 22.5. Doors: Steel Double Doors Double Locks, 4-Hinges per Door new style hinges, Grease Fittings, 1-1/4" Lock Shafts, Handles no More Than 12" Above Bot. of Door Frame, 7ga. Door Frame Side Frames 3" x 3", Top & Bot. Frames 3" x 6". Door Sheets 7ga. Solid Welds, 1 – 10ga. Center post in the center of each door. 4-Tailights in the Lower & Upper Frames, Curbside Opens First, Holder Chains. (clearance must be made for the doors to be fully opened with the Flip Tops opened) Drive: KRF II 3 x 10 Frameless 23-Slat. Handle Extension for On-Off Valve. Flooring: 23-Slats, Model# 2301CWS, 48" Long Filler Bars in between Ridges Front & Rear, T-Blocks, Plastic Splash Bearings Above Truck & Trailer Wheels 12' Long x 6 Slats Wide Each Side, Reinforce Side Sealer by Drive Unit. Sub-Deck: Steel Front Baffle: Steel 10ga. Reinforced. Cover: Wilkens Hyd. Power Flip Top Covers, 2-Spool Control, 1/4" Hyd. Hose's double Wire, 10 Hinge Sets, Grease Fittings, 1/4" Plastic Mesh, (100' Roll of Mesh Shipped Loose in Trailer). Options: 69" Catwalk with Railing 19" wide 42" Below Top Rail, Ladder on Driver's Side, 10" wide rungs on 8" centers. Capacity Emblem "117 Yds." with 4" Black Numbers-Letters on Front Corners Both Sides, upper most part of each corner directly on the side of the power flip power unit. See picture attached. Lights: LED Truck-Lite, License Plate on DS Door, Wide Turn Indicators with Signage Located each Side Behind the L Gear Supports. Final Assembly: Back Up Alarm 107 Decibel, Hyd. Couplers Tema Quick Connect; Male pressure, Female return, Dust Caps. Locate Hyd. Couplers Center of Bulkhead 3' Above KP Plate. Manifest Box, Federal D.O.T Paint: Prime Entire Trailer All Areas 2-mils, Paint Exterior White Ditzler DU-8000 Poly Urethane, PPG 91274, 2-mils, 4 mils Total Primer & Paint.</p>	\$106,064.00 \$10,108.00
TOTAL PRICE		116,172.00

F.E.T. Federal Excise Tax		+	\$	Exempt
Freight	To Deer Park, TX	+	\$	Included
Total		+	\$	116,172.00
Other:	BuyBoard Fee	\$		Included
Balance Due at delivery:		\$		116,172.00

The purchaser agrees to accept the equipment listed and described above, on arrival, and to pay therefore the total Cash Price (less any pre-payments theretofore made) or, balance to be payable as follows:

The purchaser further agrees:

- That a service charge of 1-1/2% per month will be charged on all past due accounts with a \$1.00 minimum. This is an annual percentage rate of 18%.
- *Special orders are non-cancelable and a minimum of 35% down payment is required on special designed trailer orders. That this document forms a legal and binding contract for both parties herein, undersigned. Any changes, additions, or deletions, must be in writing within 5 days form date accepted by Wilkens Industries, Inc.
- Any regular orders requested to be cancelled will be subject to 20% of the sale price, service charge, and or the purchaser will forfeit their down payment whichever is greater. Any request to cancel an order shall be made in writing with a detailed explanation. Wilkens Industries, Inc shall have the final approval of a request for cancellation.

Signed By:	<u>D. Stank</u>	Accepted By:	_____
Title:	Sales	Title:	_____
Date:	8/27/24	Date:	_____



Manufacturer of Transfer Trailers

- Walking Floor®
- Tippers
- Live Floors
- Recycling Trailers

INDUSTRIES, INC.

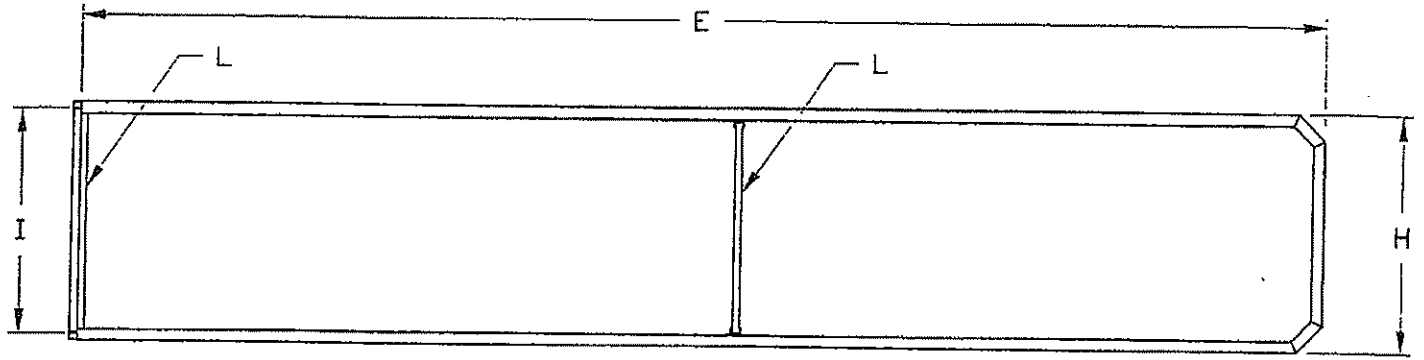
184 South County Road 22 Morris, MN 56267

(320) 589-1971

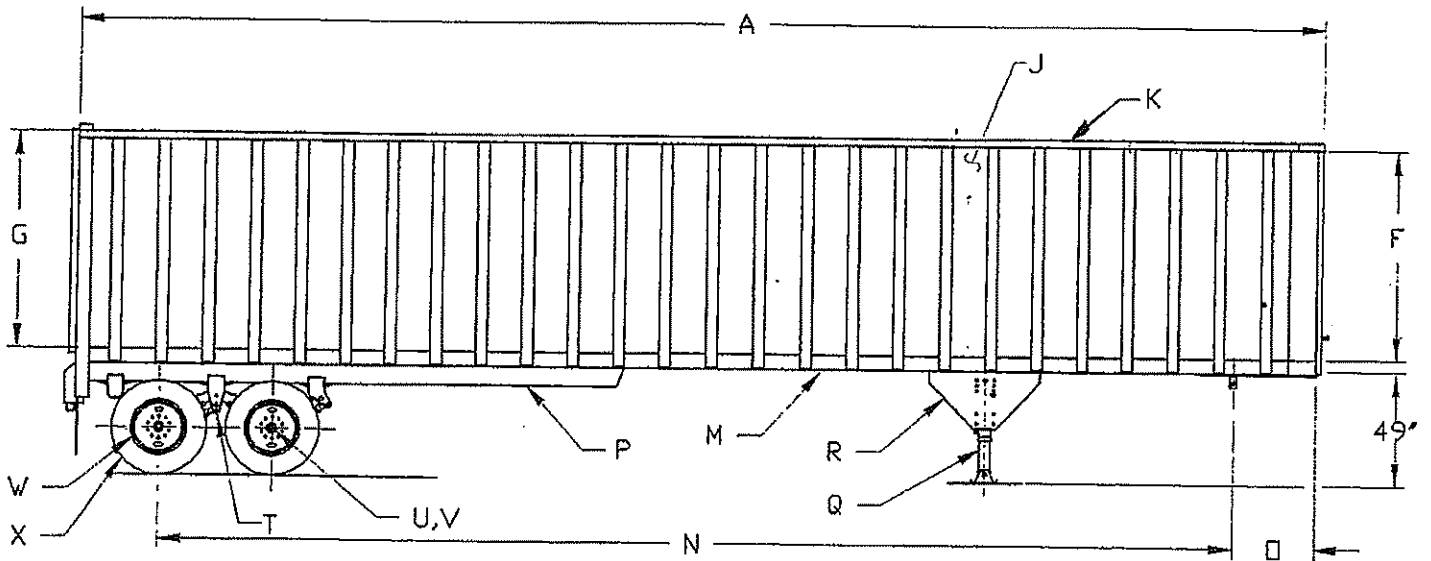
1-800-833-6045

FAX: (320) 589-1974

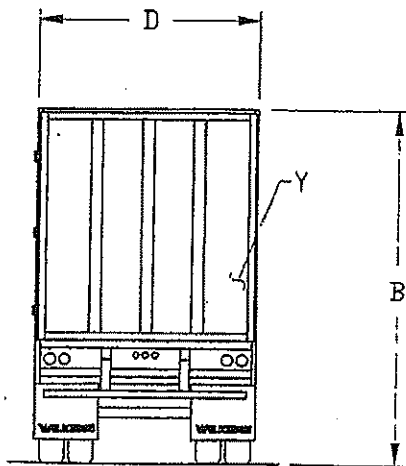
www.wilkens-ind.com



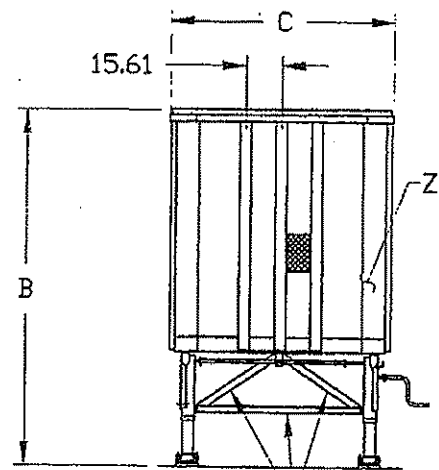
TOP



SIDE



REAR



FRONT

Manufacturer of the patented "X-Series" Expanding Wall Trailer

WILKENS INDUSTRIES, INC. WARRANTY

WARRANTY COVERAGE

WILKENS INDUSTRIES, INC. warrants to their first Purchaser only, against defects in material and workmanship on parts of only their manufacture for a period of one (1) year from the date of delivery to the first Purchaser, if manufactured according to their recommendation, but subject to the following conditions:

THIS WARRANTY WILL BECOME NULL AND VOID AND OF NO EFFECT IF ANY PART IN QUESTION:

- (1) Has been subject to abuse, misuse, negligence or accident of any type or cause.
- (2) Has been submitted or used with parts other than genuine Wilkens parts.
- (3) Owner/Operator has not read the operation manual/instructions or has not shown any responsibility to ask for proper training and operation of such product.
- (4) Has not followed the required preventative maintenance instructions or has not completed all the post delivery service inspections and requirements.

WARRANTY DISCLAIMERS

THIS WARRANTY IS IN LIEU OF ALL WARRANTIES OF MERCHANTABILITY FITNESS FOR A PARTICULAR PURPOSE, OR OTHER WARRANTIES, EXPRESS OR IMPLIED. THERE ARE NO WARRANTIES WHICH EXTEND BEYOND THE DESCRIPTION ON THE FACE HEREOF. WILKENS AND ITS PURCHASER MUTUALLY AGREE THAT WILKENS SHALL NOT BE LIABLE FOR SPECIAL, INDIRECT, OR CONSEQUENTIAL DAMAGES CAUSED BY THE FAILURE OF ANY PART. ANY PART OR COMPONENT OF THIS PRODUCT NOT MANUFACTURED BY WILKENS WILL BE SUBJECT TO SAID MANUFACTURER'S WARRANTY TERMS AND CONDITIONS. WILKENS WILL ACT AS THE LIAISON FOR THE WARRANTY CLAIMS SUBMITTED FOR SUCH.

REMEDIES

Wilkens and Purchaser mutually agree that Purchaser's sole remedy under this Warranty shall be limited to the repair or replacement at Wilkens option, of any part which is defective as a result of defective material and/or defective workmanship of parts furnished by Wilkens. Wilkens, for a period of one (1) year from the date of purchase, will reimburse labor costs involved in replacing warranted parts, provided prior approval of Wilkens is obtained. A written estimate must be submitted for the work to be done and must be approved prior to any work being done, by Wilkens or its perspective suppliers, to which said work is related. Wilkens solely, shall determine whether or not any part is defective as that term is used in this Warranty. Wilkens reserves the right to require any and all parts to be returned, freight prepaid, to its factory at Morris, MN or to the perspective manufacturer's place of business for inspection. With respect to all parts not manufactured, the respective manufacturer's warranty will be assigned to Purchaser. Any work done, repairs, parts replacement etc., within the warranty period without the prior approval from Wilkens Industries, the cost of such work will be the responsibility of the person, parties, company who approved such work to be done. All warranty requests must be submitted with the V.I.N. number and the warranty number listed below.

Purchaser: _____

WILKENS INDUSTRIES, INC.
184 S County Road 22
Morris, MN 56267

Date of Purchase: _____

VIN _____ Model Number: _____

This warranty document must be signed and returned via mail, email or fax to (320) 589-1974.

I have read this warranty and the owners/operators manual for this product and fully understand the terms and conditions of this warranty agreement.

Signed: _____

Position: _____

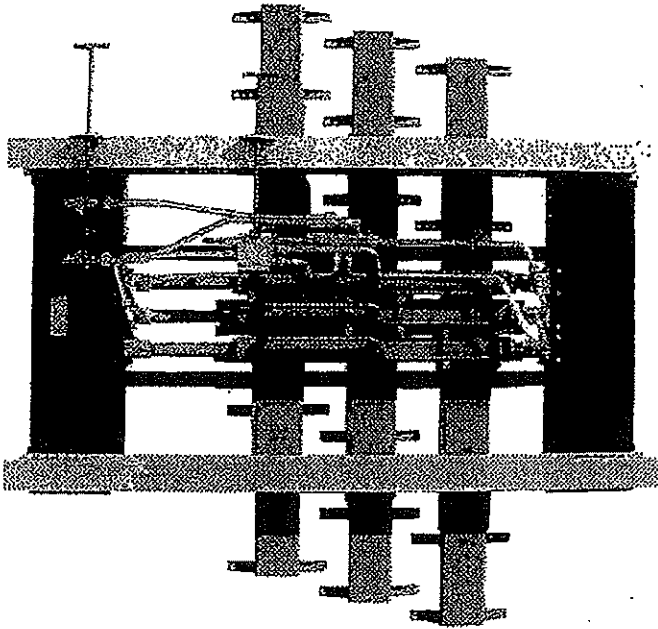
Date: _____

Two Year Warranty*

THE KEITH

RUNNING FLOOR II[®] DX DRIVE

The best selling drive unit in the world.



WALKING FLOOR[®]
ONLY BY KEITH

IDEAL FOR UNLOADING

- Refuse
- Recyclables
- Wood Products
- Grain
- Soil
- Palletized Cargo
- Other Bulk Materials

A warranty card must be on file at KEITH Mfg. Co. to qualify for the extended warranty.

* Hydraulics Only.
Flooring, Seal & Bearings are "wear" items.

- Improved Cylinder Design
- Advanced Check Valve Design
- New Tubing with Uniform Design
- Increased Corrosion Resistance
- Long-Lasting Plated Tubing

KEITH, the creator of WALKING FLOOR[®] technology, provides custom unloading systems for specialized applications worldwide.



KEITH Mfg. Co.
1.800.547.6161
www.keithwalkingfloor.com

KEITH® WALKING FLOOR® Drive Unit

Limited Warranty

A summary of the warranty conditions are as follows:

- The warranty period is for the first equipment owner only.
- A warranty card must be filled out and returned to KEITH.
- The standard warranty period is for (1) one year for the Drive system (for non-hydraulic components only, such as electrical components, drive frame, cross drives, floor shoes, flooring and components from other suppliers) from date of sale by trailer manufacturer.
- The limited hydraulic warranty period is for (2) two years for the hydraulic parts and components from date of sale by trailer manufacturer.
- The Drive system must be installed by your trailer builder according to recommended KEITH installation instructions and procedures.
- KEITH maintenance and operating procedures have been properly followed.
- In the case of a malfunction, the trailer manufacturer, and KEITH must be informed immediately.

The following issues are not covered by the warranty:

- Malfunction of equipment, or problems caused by equipment, which was not supplied by KEITH.
- Malfunction caused by the use of dirty oil, or oil of the wrong type.
- Malfunction caused by overheated oil: maximum temperature 140 °F [60 °C].
- Malfunction caused by corrosive materials.
- Malfunction caused by overloading or improper use as stated in KEITH manuals.
- Malfunction caused by improper repair work, or repair work which is carried out by third parties.
- Filter elements and components are subject to normal wear-and-tear and are not warranty items.
- Defects in electrical components caused by incorrect connection and/or incorrect voltage levels.

The warranty is void if:

- The Drive system is used for purposes which have not been recommended by KEITH.
- The wet kit is not as recommended in KEITH manuals.
- The Drive system is not installed properly.
- Loads in excess of legal limits are moved as defined in KEITH manuals and operating instructions.
- Hydraulic components are damaged by excessive heat: 140 °F [60 °C].
- Heat damage caused by a bad hydraulic pump on the truck or hydraulic wet kit.
- Damage caused by using an end dump or dump truck wet kit.
- Heat damage caused by not fully opening and closing the ball valve.

Warranty Information:

Two Year Limited Hydraulic Warranty

KEITH Manufacturing Co. hereby warrants, only to the first owner of a new KEITH® Drive system from the factory or selling distributor, that the Drive system hydraulic parts and hydraulic components shall be warranted as free from defects in material and workmanship for a period of two years to the first registered owner from the date of the sale.

This warranty does not cover normal wear and tear, maintenance, or heat damage. It is not to be construed as a service contract.

Owners Obligation: To qualify for warranty coverage, a warranty card must be completed and the equipment must be subject to normal use and service as described in KEITH manuals and warranty information.

Note: Prevention of excessive heat in the hydraulic system is the single most important factor for long system life. Bad pumps, improper wet kits and hydraulic restrictions cause excessive heat and will damage the hydraulic system. Heat damage will void the warranty.

One Year Limited Non-Hydraulic Component Warranty

KEITH Manufacturing Co. hereby warrants, only to the first owner of a new **KEITH® Drive system** from the factory or selling distributor that the product (for non-hydraulic components only, such as electrical components, drive frame, cross drives, floor shoes, flooring and components from other suppliers) shall be free from defects in material and workmanship for a period of **one year** after delivery or sale to the first registered owner.

Definition of Normal Use and Service: Normal use and service means the loading and/or unloading of uniformly distributed, non-corrosive material, properly restrained and secured, on properly maintained public roads, with gross vehicle weights not in excess of factory rated capacity. For stationary installations, normal use and service means the conveying of uniformly distributed, noncorrosive materials, with weights not in excess of factory rated capacity.

Sole and Exclusive Remedy: If the product covered hereby fails to conform to the above stated warranty, **KEITH Manufacturing Co.'s** sole liability under this warranty and the owner's sole and exclusive remedy is limited to repair or replacement of the defective part(s) at a facility authorized by **KEITH Manufacturing Co.** This is the owner's sole and exclusive remedy for all contract claims, and all tort claims including those based on the strict liability in tort and negligence. Any defective part(s) must be shipped freight prepaid to the nearest **KEITH North America/South America** facility or nearest **KEITH Europe** facility. Please contact KEITH for additional information on proper locations.

Except As Expressly Set Forth Above, KEITH Manufacturing Co. Makes No Warranties:

Express, implied or statutory, specifically: No warranties of fitness for a particular purpose or warranties of merchantability are made. Further, **KEITH Manufacturing Co.** will not be liable for incidental damages or consequential damages such as, but not limited to, loss of use of the product, damage to the product, towing expenses, attorney's fees and the liability you may have in respect to any other reason.

Tort Disclaimer: **KEITH Manufacturing Co.** shall not have any liability in tort with respect to the products, including any liability based on strict liability in tort and negligence.

If This Warranty Violates Law: To the extent any provision of this warranty, contravenes the law of any jurisdiction, that provision shall be inapplicable in such jurisdiction and the remainder of the warranty shall not be affected thereby.

Warranty Return Policy

1.) Contact **KEITH Manufacturing Co.** at 1-800-547-6161 or TechDept@KeithWalkingFloor.com for a "Returned Goods Authorization" (RGA) number before returning any item for repair or replacement. The following information is needed to ensure parts are returned as quickly as possible.

- | | |
|-----------------|------------------------------|
| a. Company name | e. Part number |
| b. Contact name | f. Quantity |
| c. Address | g. Reason for return |
| d. Phone number | h. Customer's account number |

2.) Prior approval and a RGA number is needed when returning any unused product for credit. Make sure the RGA number is on the outside of the shipping carton and all paperwork is included. Return all material on a Freight Prepaid Basis.